

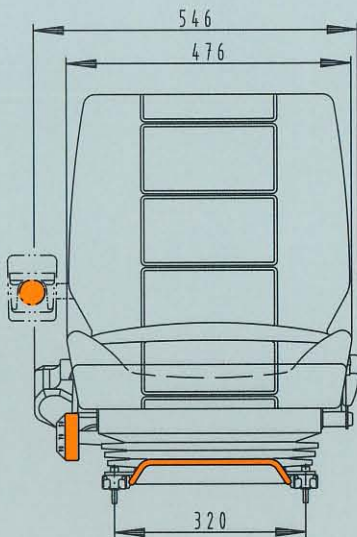
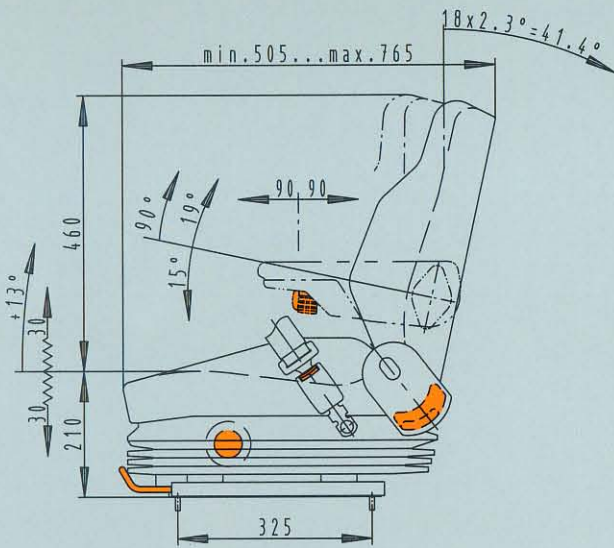


**This seat  
is your partner**

Universal Seat  
for Industrial Machines

**ISRI® 6000/516**

Mechanical suspension  
ISRI® driver's seat  
Proven standards  
for safety and comfort



Fulfills EC regulations 95/63 resp. the German guideline 98/655/EWG to minimise the risk to employees when operating the machine when tilted. ISRI® solutions: driver's seat with restraint system in terms of a proved dual sensitivity 2-point-lap belt. Also recommended for retrofitting of all operating vehicles.

N.B.: For the retrofitting of driver's seats with integrated restraint system an adequate reinforcement at the vehicle's seat installation fixing point has to be guaranteed.

Therefore ISRINGHAUSEN will not assume liability for the installation of the seat.  
For options see basic brochure. Pictured with armrests.



ISRINGHAUSEN  
GmbH & Co. KG  
An der Bega 58  
32657 Lemgo  
Fon +49 (0) 52 61 2 10-0  
Fax +49 (0) 52 61 2 10-3 10  
www.isri.de  
info@isri.de